

RAYSAN

Flexible Barrier
POLYGUARD
PuffyGuard

FORKGUARD KERB BARRIER

WITH ITS EASY-TO-ASSEMBLE DESIGN, THIS BARRIER IS PERFECT FOR PROTECTING AGAINST FORKLIFT FORK IMPACTS AT GROUND LEVEL IN INDOOR AND OUTDOOR AREAS WITH TRANSPORT AND LOADING TRAFFIC. IT SAFEGUARDS STRUCTURES, GOODS, AND MACHINERY FROM REPEATED DAMAGE WHILE ALSO DEFINING, DIVIDING, AND ORGANIZING DESIGNATED SPACES.



STRONG AND LIGHTWEIGHT

Thanks to its unique chemical formula, our barrier surpasses steel barriers in both strength and weight. It is significantly lighter while maintaining its exceptional durability.

MODULAR

Thanks to its modular design, our barrier effortlessly adapts to the changing needs of your facility. This flexible solution is extremely easy to install, assemble, disassemble, relocate and organize.

NO CORROSION

Unlike steel barriers, our barriers are made of durable polymer materials, making them unaffected by environmental elements such as sunlight and rainwater.

NO PAINT AND MAINTENANCE NEEDED

Unlike Raysan's steel barriers that require regular painting and maintenance, our self-colored structure eliminates the need for these processes. Even if the barrier is scratched due to an impact, its surface retains its original color without any change.

ULTRAVIOLET RESISTANT

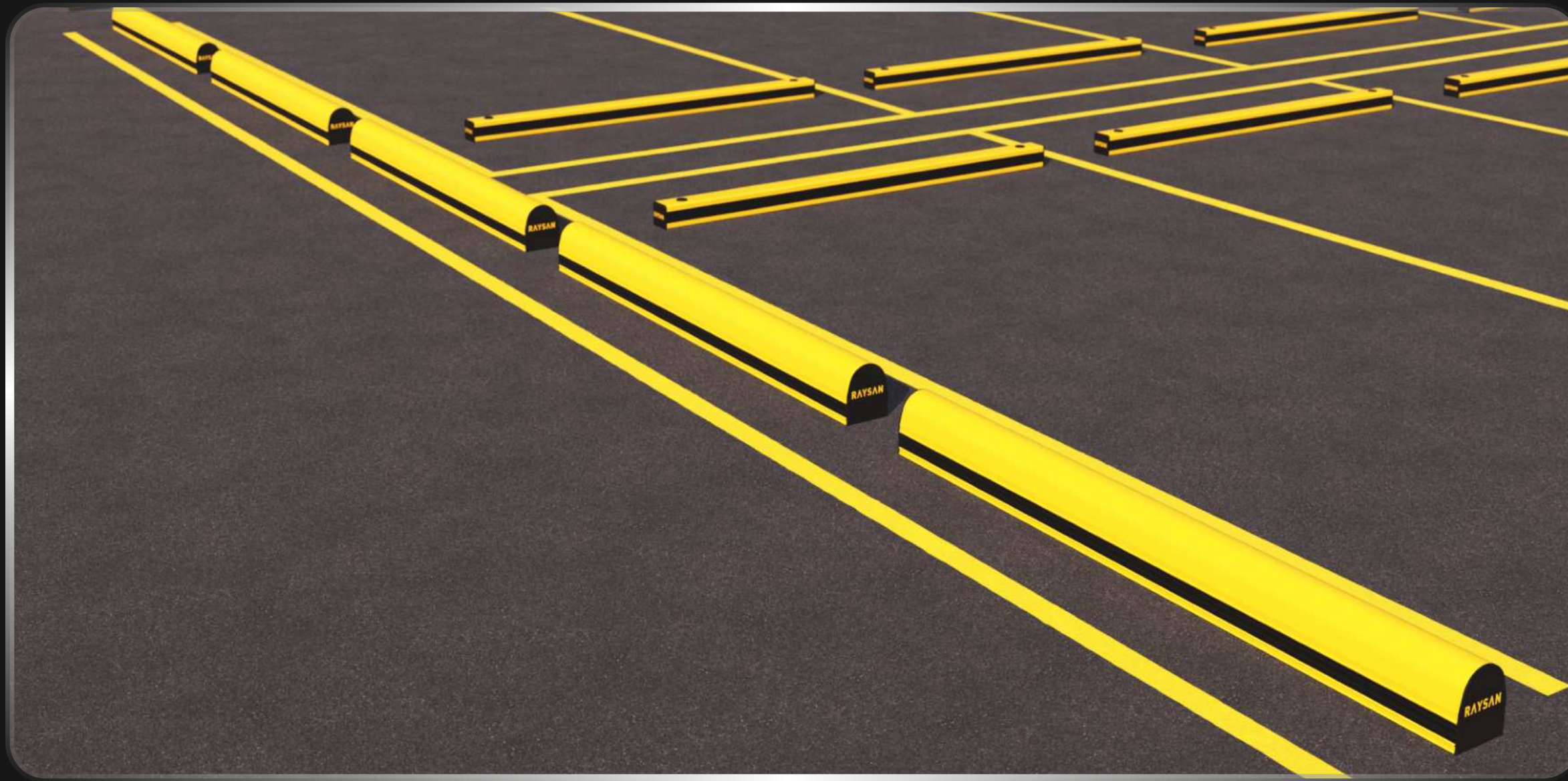
Our barriers are designed with exceptional resistance to UV radiation. Their chemical structure remains intact even after prolonged outdoor use, ensuring long-term durability.

ANTIBACTERIAL

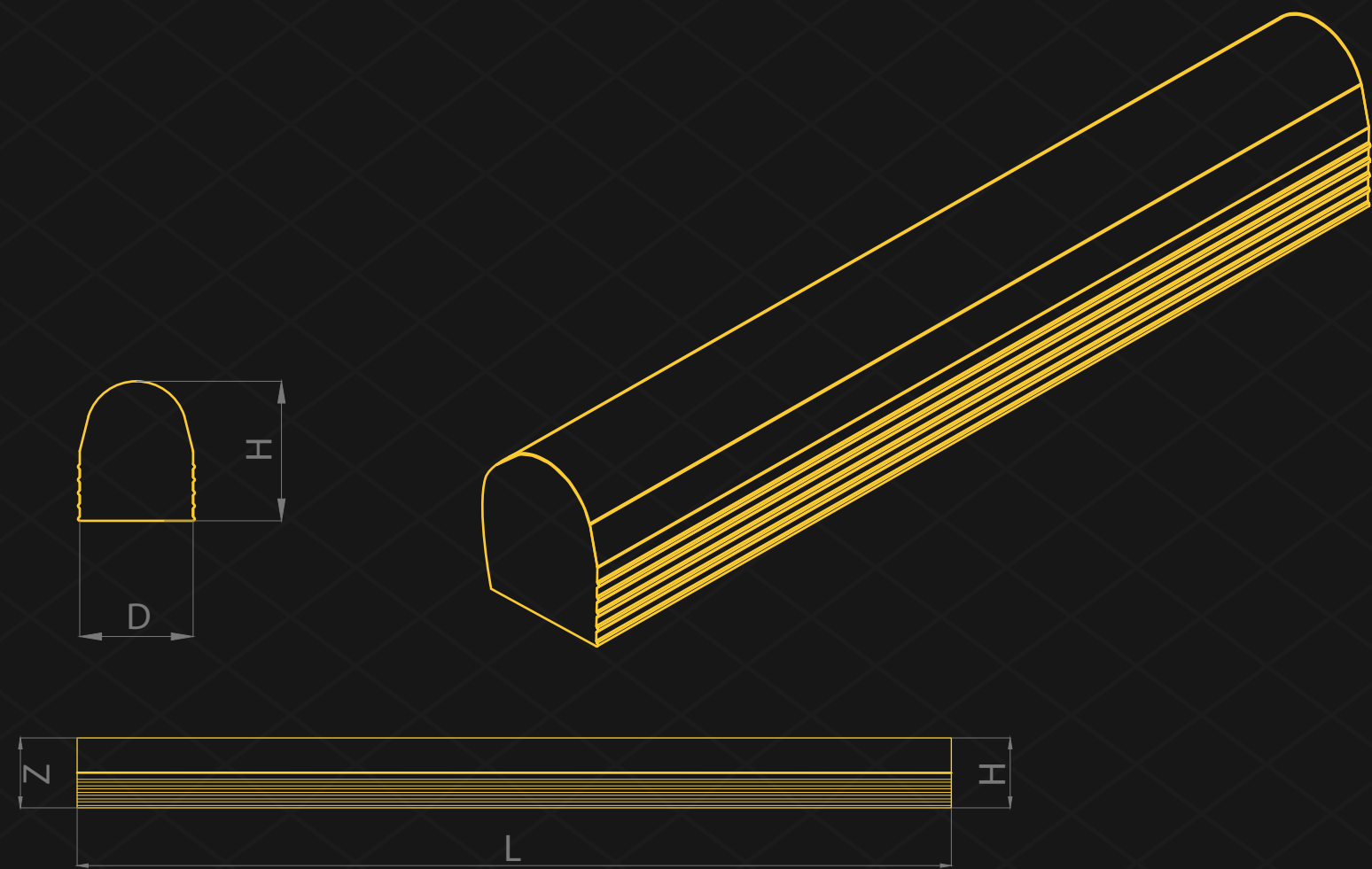
Our barriers have an exceptional chemical formula that prevents them from having any chemical reaction with the substances they come into contact with.

EXPERIENCE UNPARALLELED STRENGTH WITH OUR ADVANCED POLYMER, CRAFTED FROM A PREMIUM BLEND OF SOPHISTICATED POLYOLEFINS AND RUBBER ADDITIVES. THIS EXCLUSIVE COMPOSITION DELIVERS UNMATCHED DURABILITY AND FLEXIBILITY. OUR CUTTING-EDGE ENGINEERING PROCESS REORIENTS THE MOLECULAR STRUCTURE DURING MANUFACTURING, ENDOWING THE BARRIER WITH A UNIQUE BUILT-IN MEMORY. THIS INNOVATIVE FEATURE ENSURES THAT THE BARRIER RECOVERS COMPLETELY AFTER IMPACTS, MAINTAINING PEAK PERFORMANCE AND RELIABILITY.





TECHNICAL DRAWING



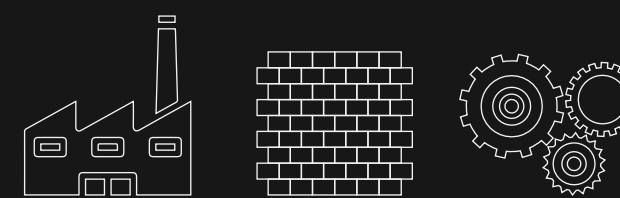
FIXING REQUIREMENTS



Concrete Quality	Minimum C25/30
Concrete Floor Plate Thickness [mm]	Minimum 150 mm
Water and Humidity	<p>Steel [standart] : Suitable for dry indoor use only.</p> <p>Galvanize : Can be used in most outdoor environments.</p> <p>Stainless Steel : Ideal for outdoor use or environments with frequent exposure to water and humidity.</p>

KF	Post Height [H]	Rail Dimension [D]	Rail Length Range [L]	Impact Zone [Z]
	160 mm	130 mm	500 mm - 2500 mm	160 mm

SUITABLE APPLICATION



STANDART COLORS

RAL 1018 PANTONE 123C

RAL 9005 PANTONE B6C

*Please note that the RAL and PANTONE colours listed are the closest match to standard RAYSAN colours, but may not be exact matches of the actual product colour and should be used for guidance only.

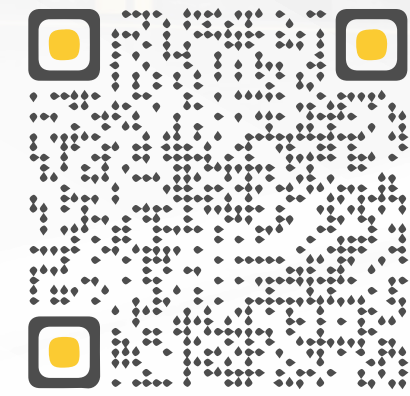
BUILDING AND EQUIPMENT SAFEGUARDS

CORRIDOR AND WALL DEFENSES

MACHINERY PROTECTION SOLUTIONS

RAYSAN

FOLLOW US



DISCOVER MORE
about our innovative products,
exceptional services &
global network of dealers.

TÜVNORD

TÜV NORD CERT GmbH

ISO 9001

tuev-nord.de

RAYSAN

AS RAYSAN, WE ARE PROUD TO PIONEER THE FUTURE OF INDUSTRIAL SAFETY. WITH OUR STATE-OF-THE-ART FLEXIBLE PROTECTIVE BARRIERS AND SOLUTIONS, WE ARE AT THE FOREFRONT OF INNOVATION, PROTECTING WORKPLACES AROUND THE WORLD. OUR COMMITMENT TO EXCELLENCE AND UNWAVERING DEDICATION TO ADVANCING SAFETY STANDARDS HAS PROPELLED US TO THE TOP OF THE INDUSTRY.

YOUR **TRUSTED** PARTNER